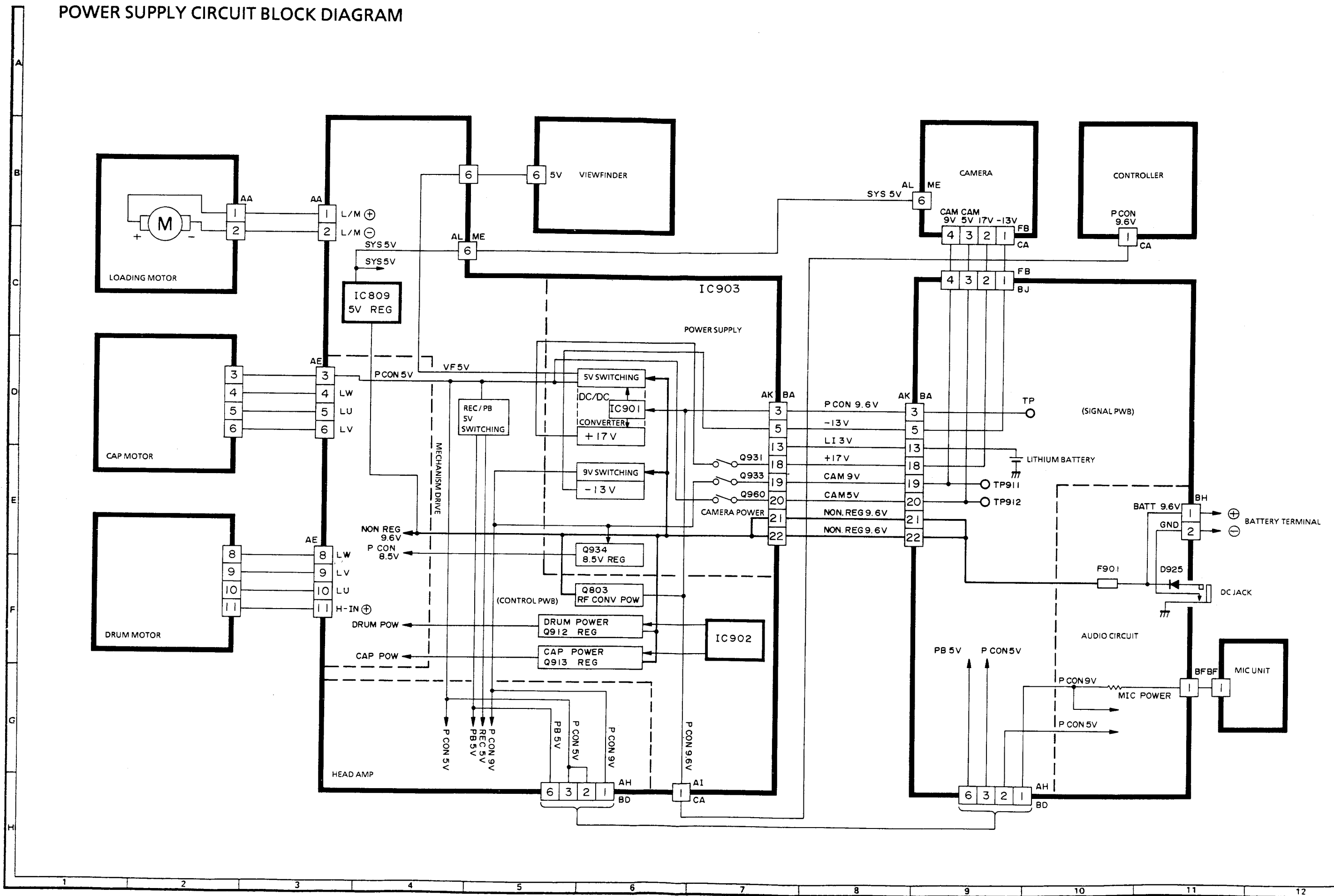


VL-C780S H X  
 VL-C7400E  
 VL-C690S H X  
 VL-C6400E

VL-C780S H X  
 VL-C7400E  
 VL-C690S H X  
 VL-C6400E

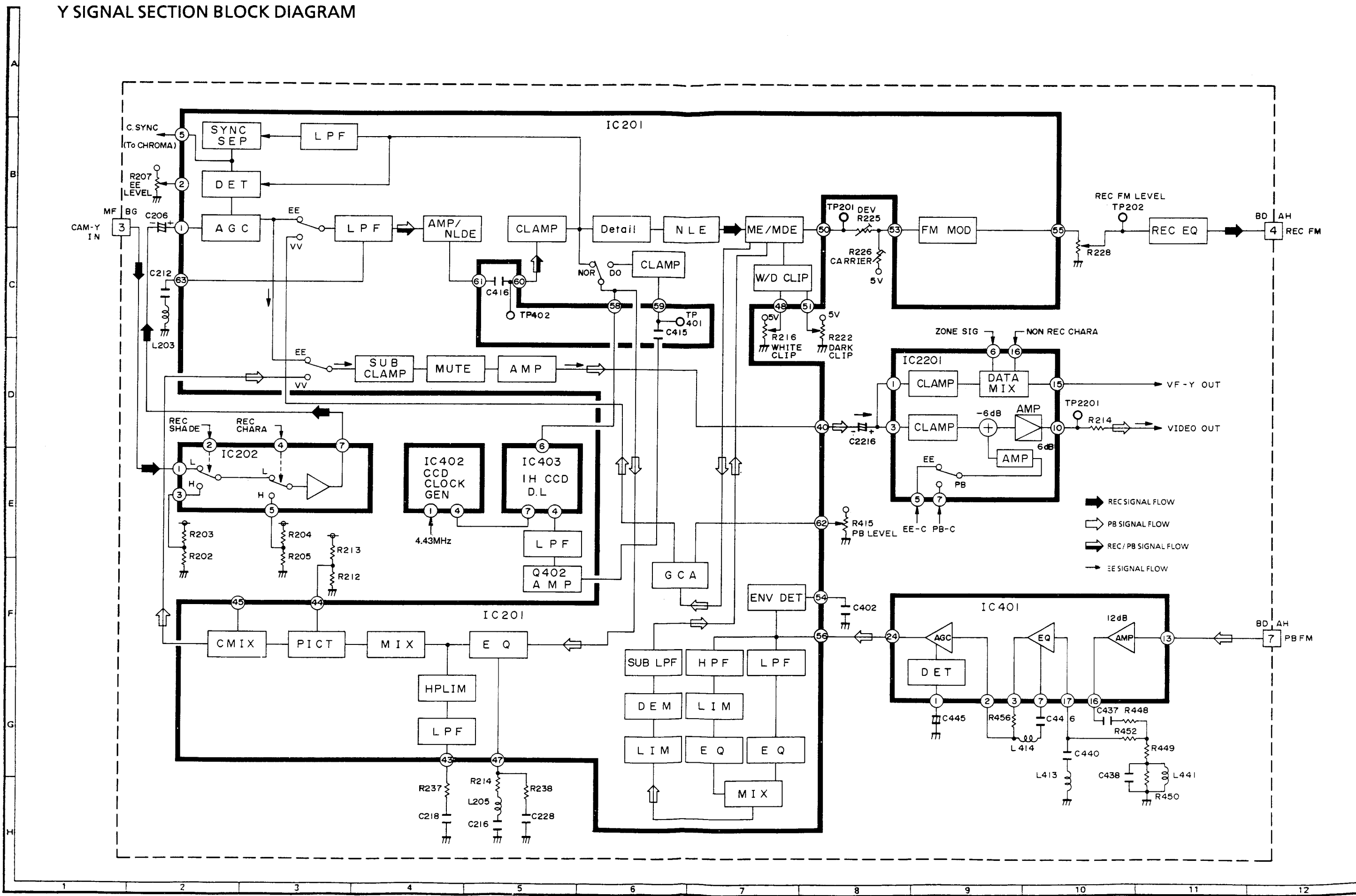
# POWER SUPPLY CIRCUIT BLOCK DIAGRAM



VL C780S/H/X  
VL C7400E  
VL C690S/H/X  
VL C6400E

VL C780S H X  
VL C7400E  
VL C690S H X  
VL C6400E

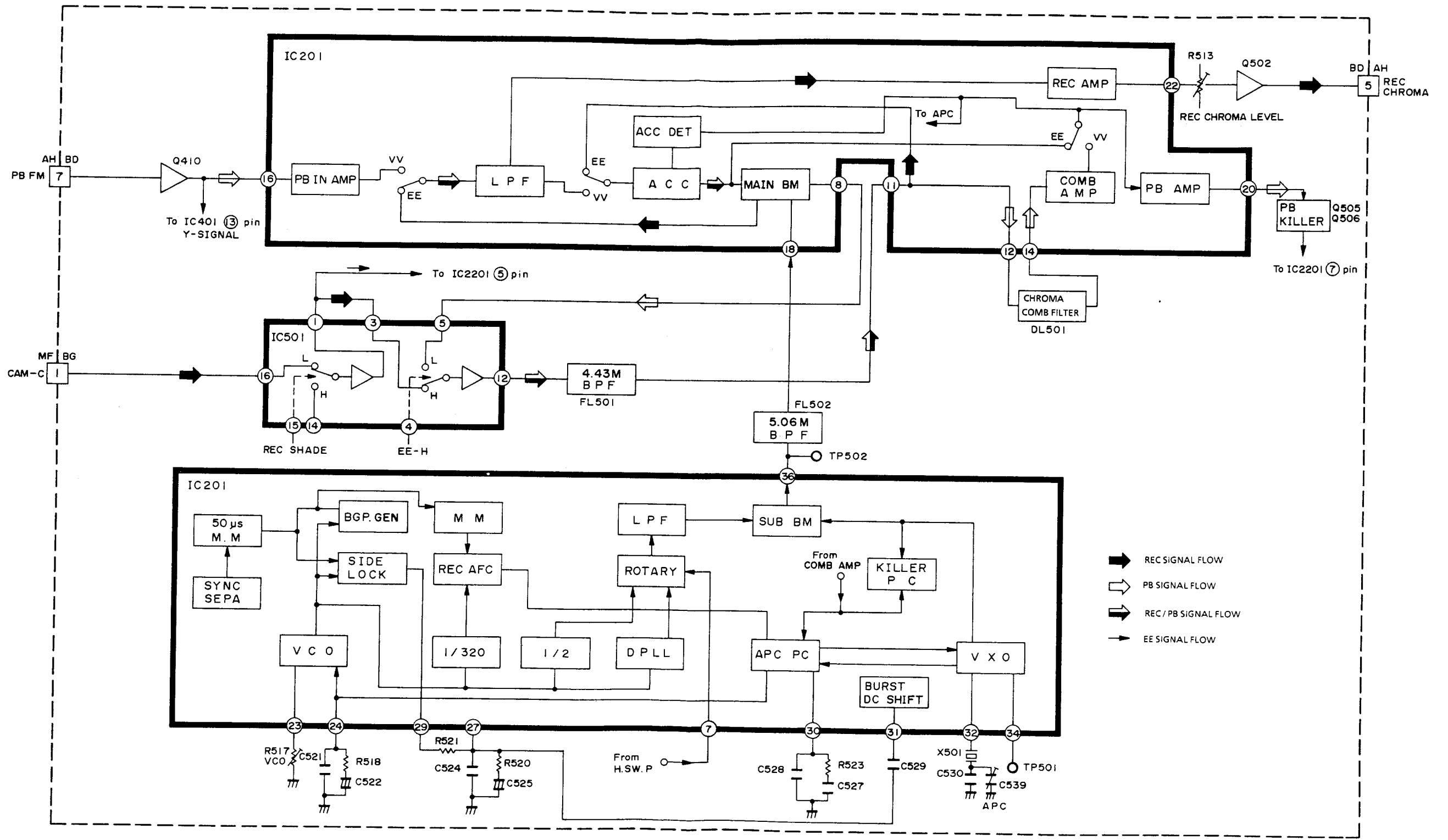
# Y SIGNAL SECTION BLOCK DIAGRAM



VL C780S/H X  
 VL C7400E  
 VL C690S/H X  
 VL C6400E

VL C780S/H X  
 VL C7400E  
 VL C690S/H X  
 VL C6400E

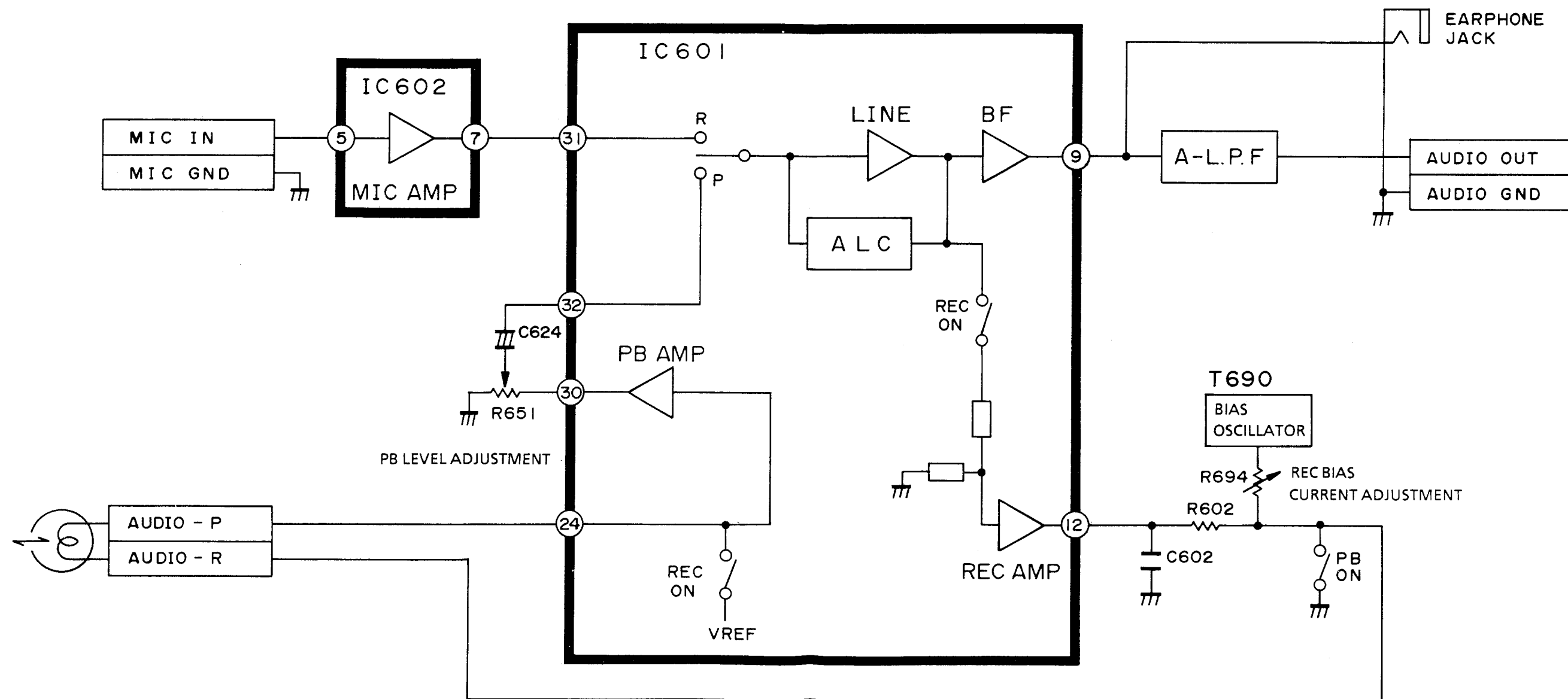
# VIDEO SECTION BLOCK DIAGRAM (CHROMA SETCTION)



VL C780S H X  
VL C7400E  
VL C690S H X  
VL C6400E

VL C780S H X  
VL C7400E  
VL C690S H X  
VL C6400E

# AUDIO CIRCUIT BLOCK DIAGRAM

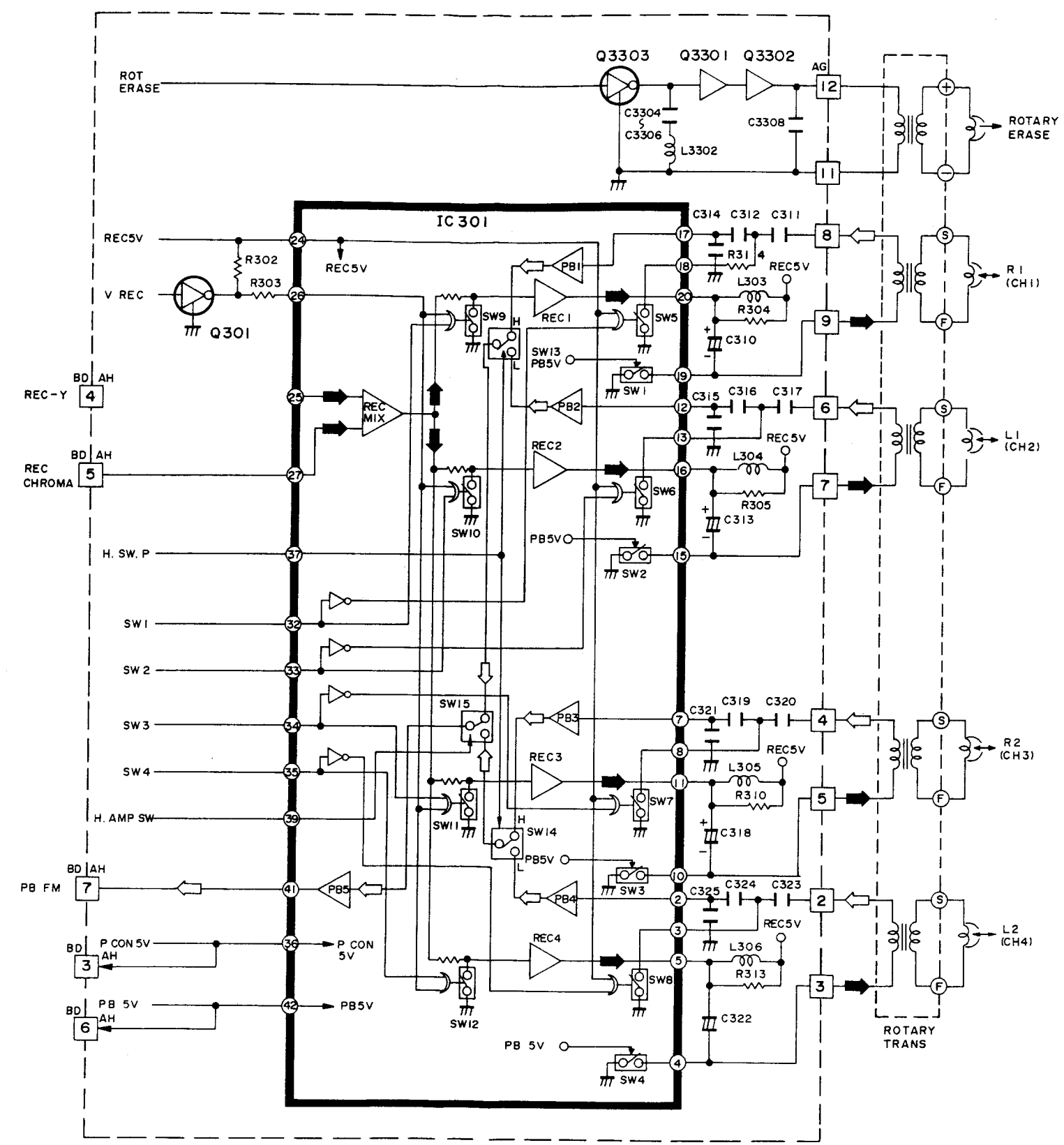


1 2 3 4 5 6 7 8 9 10 11 12

VL C780S H X  
 VL C7400E  
 VL C690S H X  
 VL C6400E

VL C780S H X  
 VL C7400E  
 VL C690S H X  
 VL C6400E

# HEAD AMP CIRCUIT BLOCK DIAGRAM



➔ REC SIGNAL FLOW  
 ⇨ PB SIGNAL FLOW

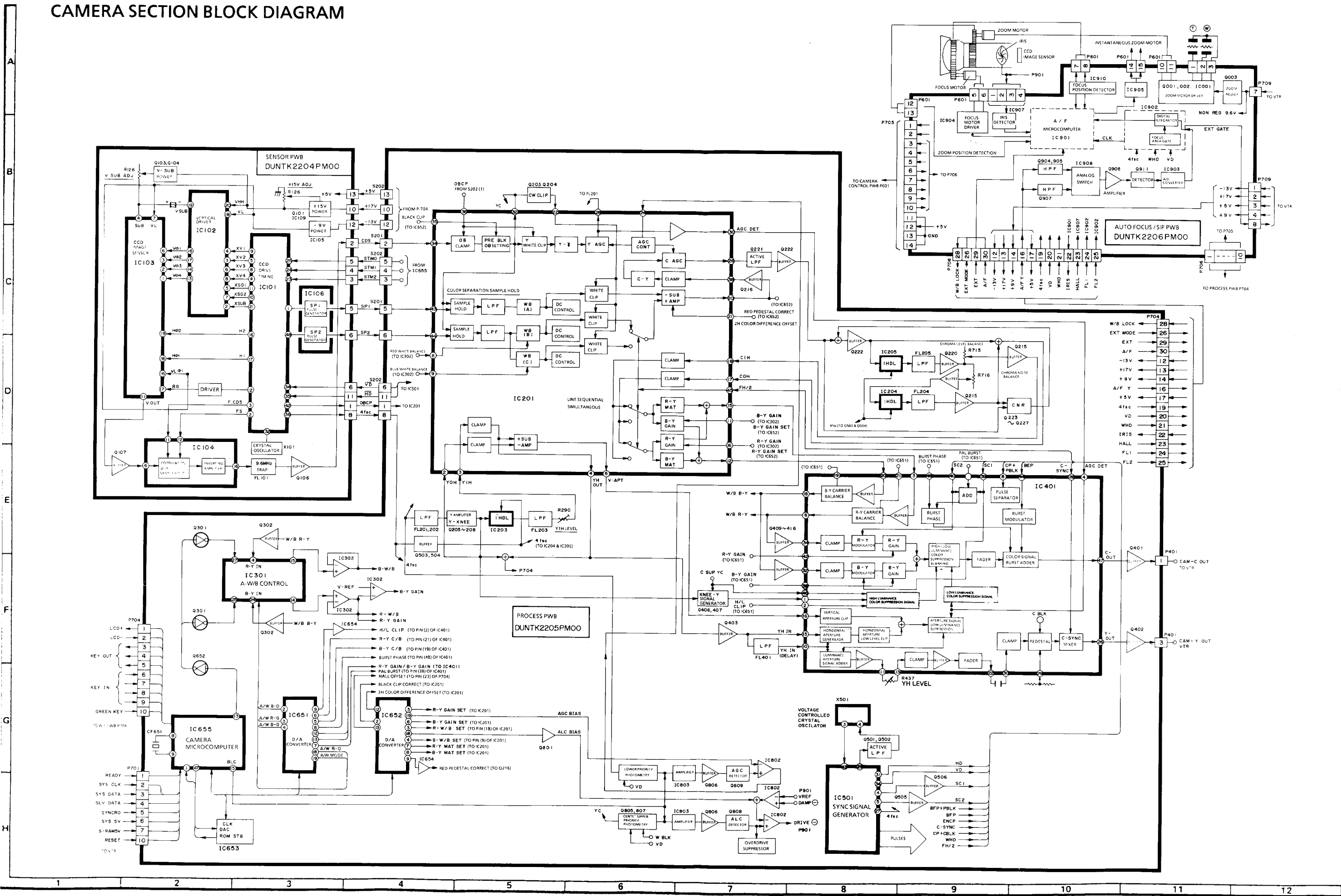
A  
B  
C  
D  
E  
F  
G  
H

1 2 3 4 5 6 7 8 9 10 11 12

VL C780S H X  
VL C7400E  
VL C690S H X  
VL C6400E

VL C780S H X  
VL C7400E  
VL C690S H X  
VL C6400E

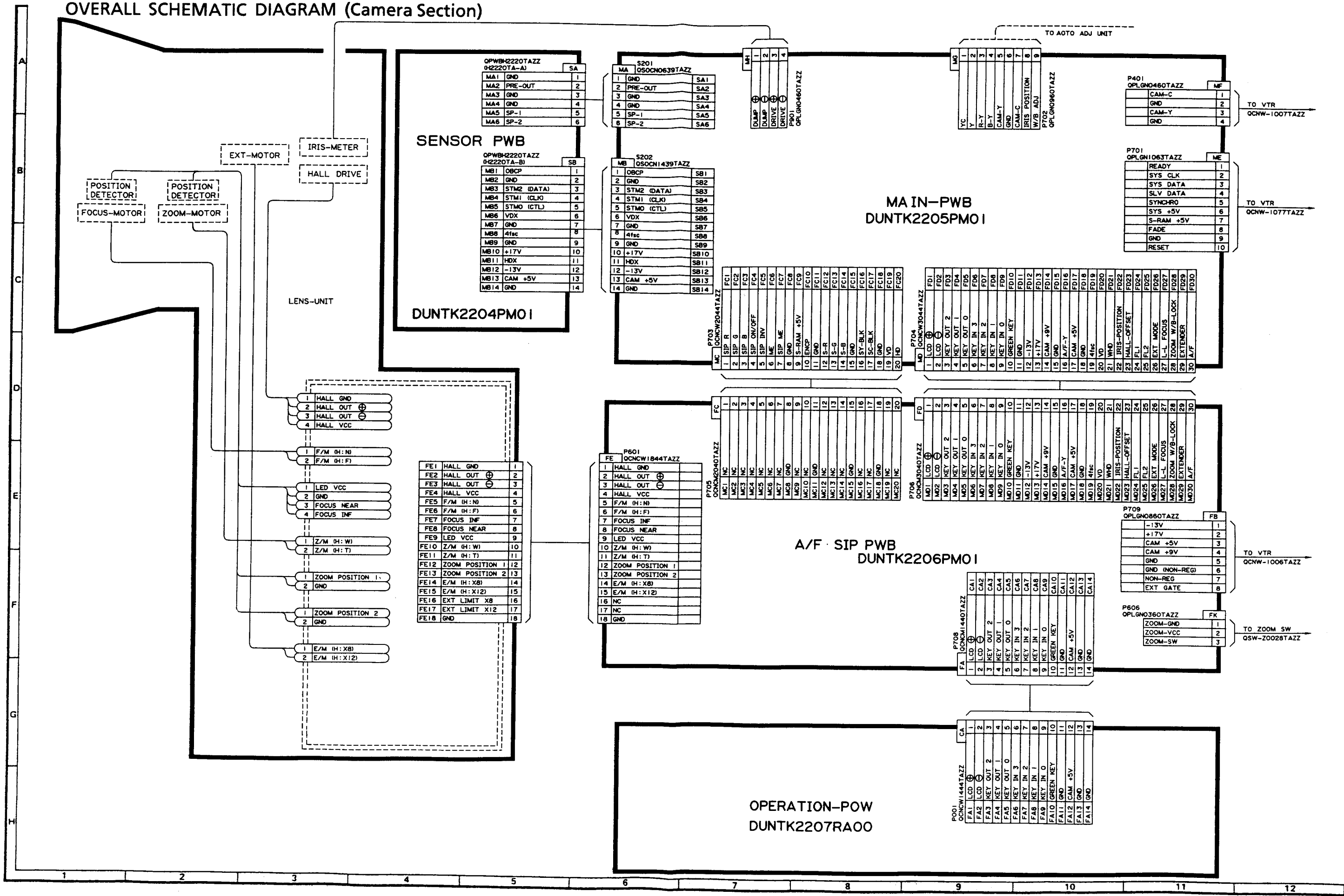
# CAMERA SECTION BLOCK DIAGRAM



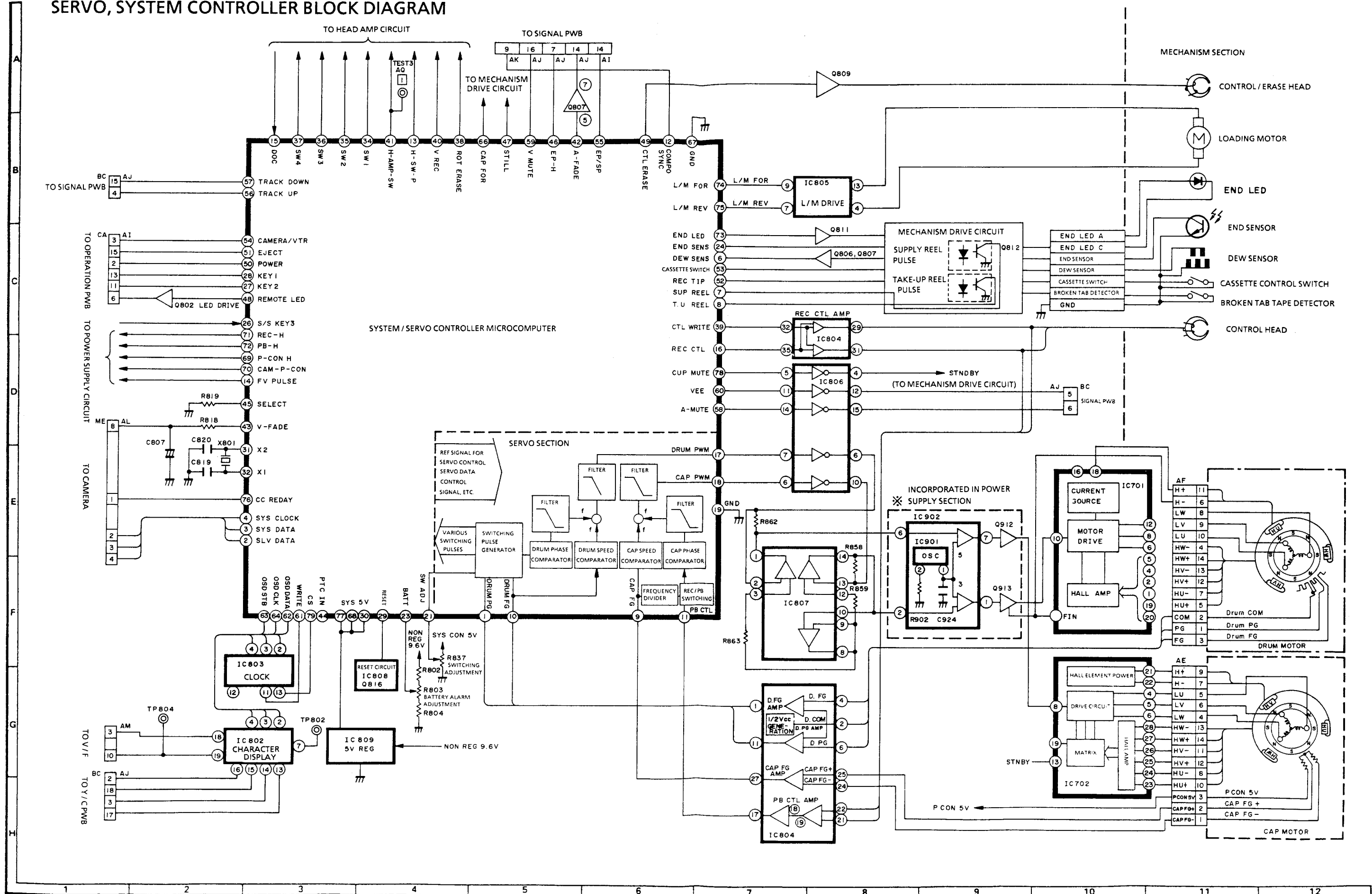
VL C780S H X  
VL C7400E  
VL C690S H X  
VL C6400E

VL C780S H X  
VL C7400E  
VL C690S H X  
VL C6400E

OVERALL SCHEMATIC DIAGRAM (Camera Section)



# SERVO, SYSTEM CONTROLLER BLOCK DIAGRAM





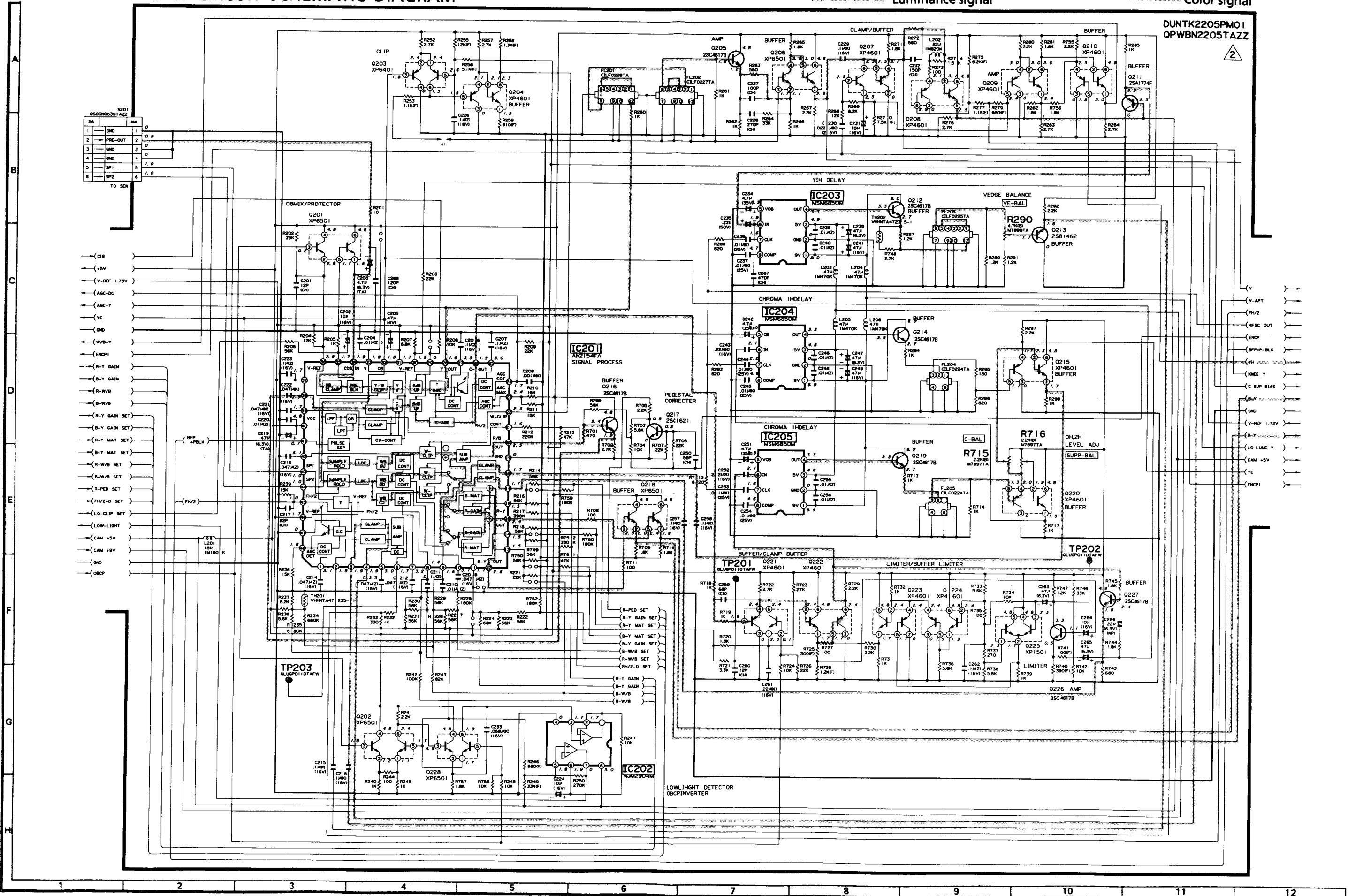
# SIGNAL PROCESS CIRCUIT SCHEMATIC DIAGRAM

VL C780S H X  
VL C7400E  
VL C690S H X  
VL C6400E

VL C780S H X  
VL C7400E  
VL C690S H X  
VL C6400E

Luminance / color signal  
Luminance signal

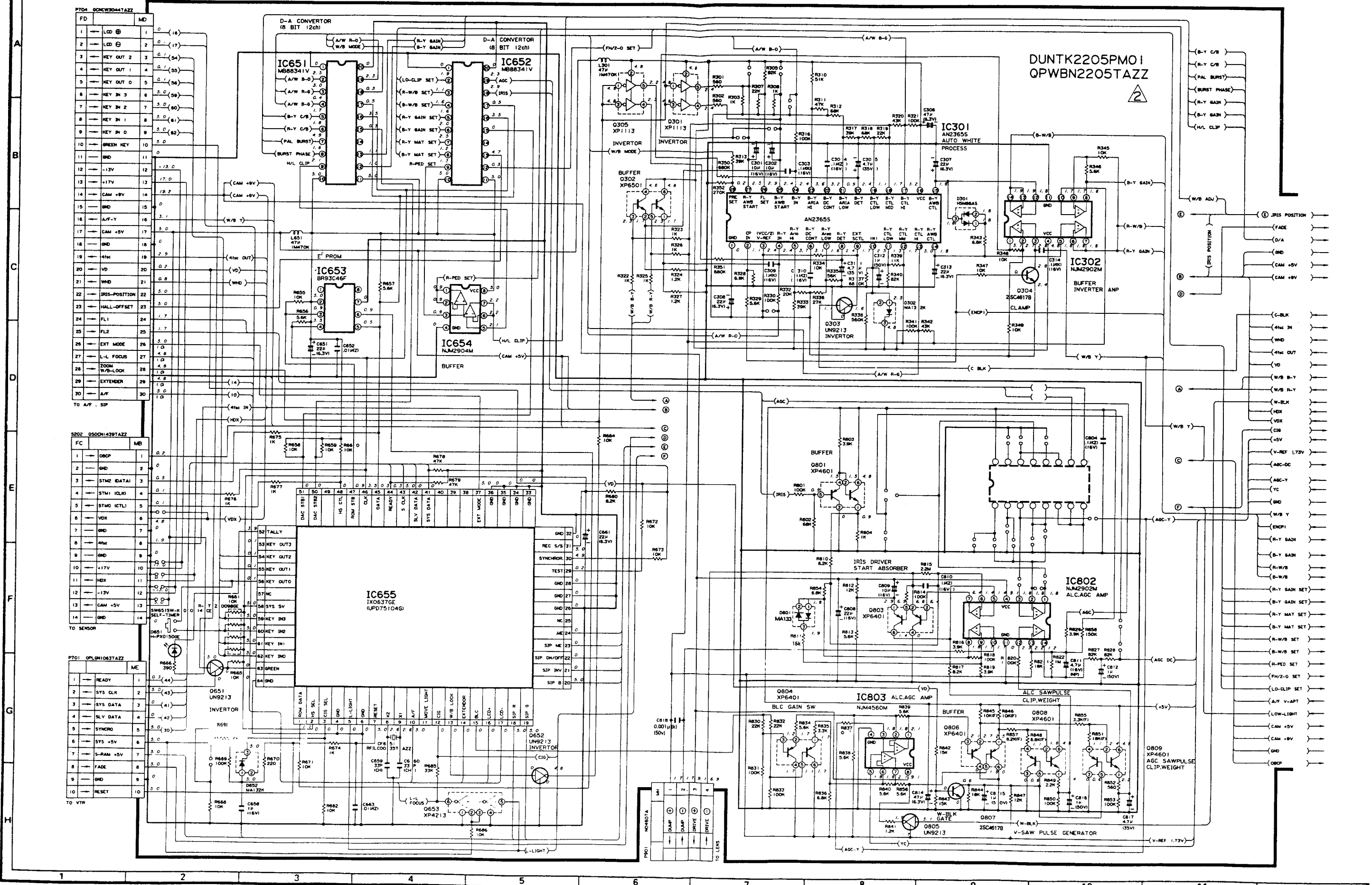
Color signal



Values in ( ) are for the playback mode

VL C780S H X  
 VL C7400E  
 VL C690S H X  
 VL C6400E  
 VL C780S H X  
 VL C7400E  
 VL C690S H X  
 VL C6400E

# MPU CIRCUIT SCHEMATIC DIAGRAM

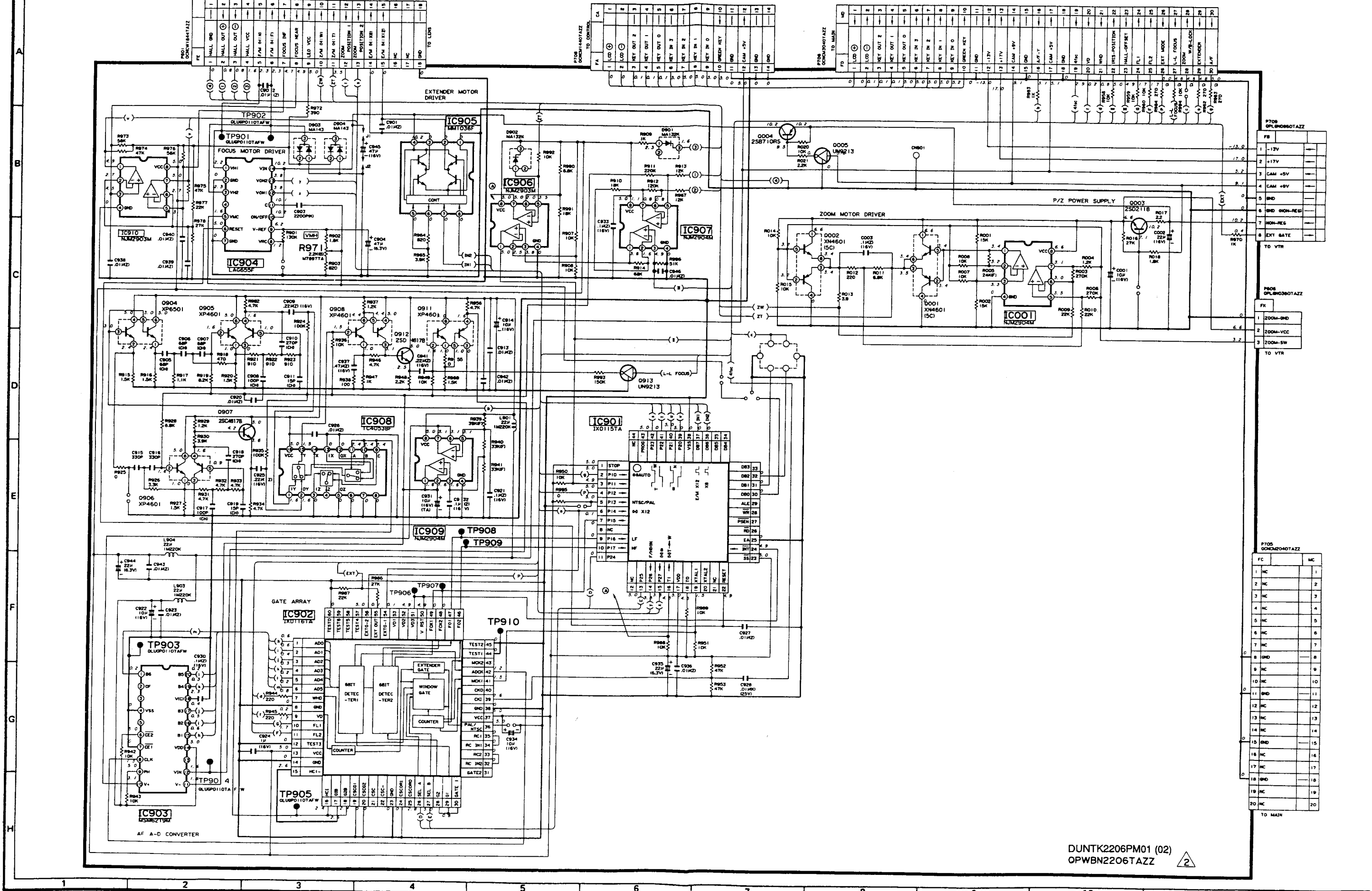


Values in ( ) are for the playback mode

# AUTO FOCUS / SIP CIRCUIT SCHEMATIC DIAGRAM

VL C780S H X  
VL C7400E  
VL C690S H X  
VL C6400E

VL C780S H X  
VL C7400E  
VL C690S H X  
VL C6400E



Values in ( ) are for the playback mode

DUNTK2206PM01 (02)  
OPWBN2206TAZZ

FC	MC
1	NC
2	NC
3	NC
4	NC
5	NC
6	NC
7	NC
8	GND
9	NC
10	NC
11	GND
12	NC
13	NC
14	NC
15	GND
16	NC
17	NC
18	GND
19	NC
20	NC

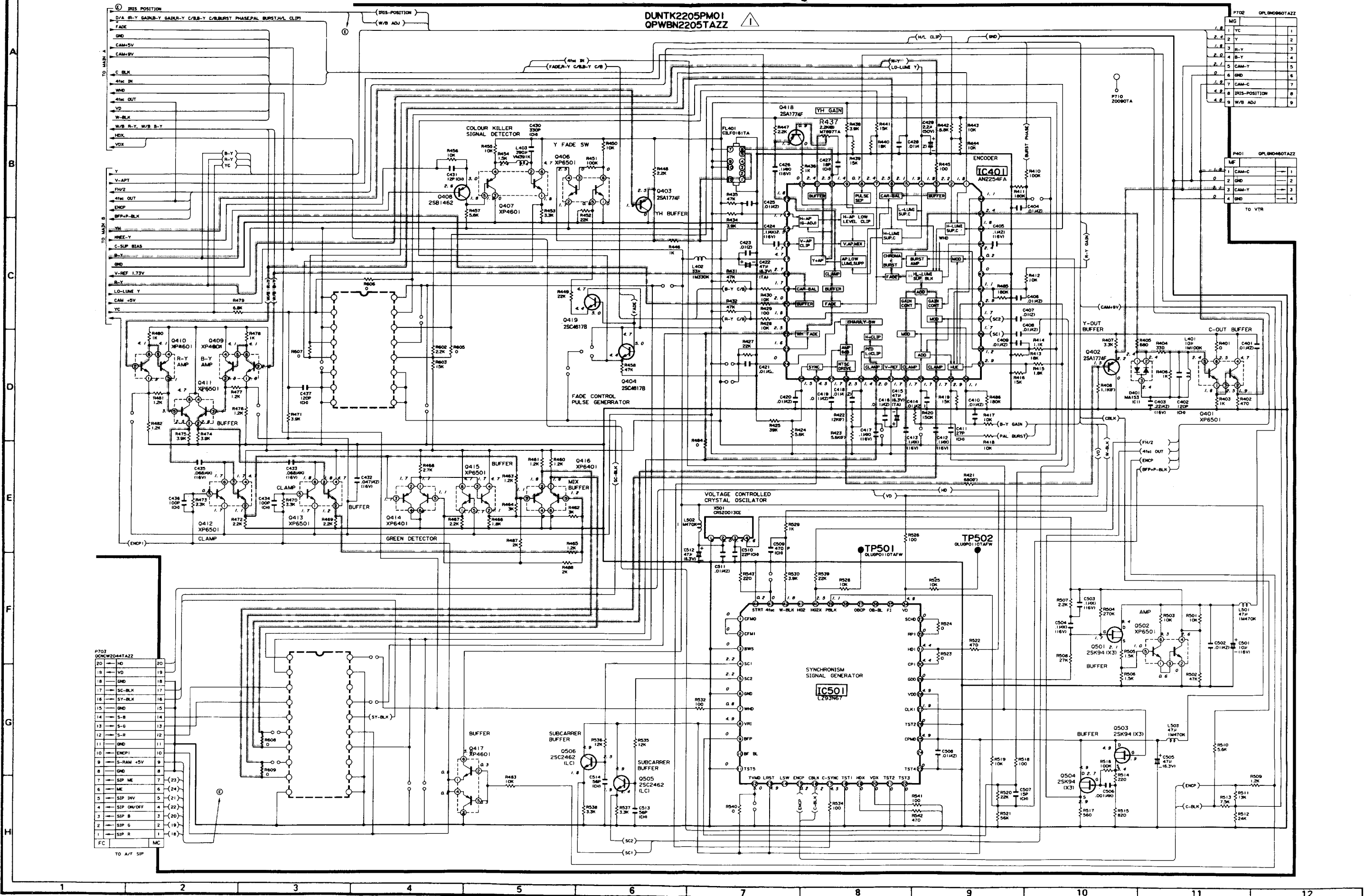
FC	MC
1	NC
2	NC
3	NC
4	NC
5	NC
6	NC
7	NC
8	GND
9	NC
10	NC
11	GND
12	NC
13	NC
14	NC
15	GND
16	NC
17	NC
18	GND
19	NC
20	NC

VL C780S H X  
VL C7400E  
VL C690S H X  
VL C6400E

Luminance signal

color signal

# SSG / ENCODER CIRCUIT SCHEMATIC DIAGRAM



P702	OPLIN060TAZZ
1	MG
2	YC
3	Y
4	B-Y
5	B-Y
6	CAM-Y
7	CAM-C
8	IRIS-POSITION
9	W/B ADJ

P704	OPLIN060TAZZ
1	CAM-C
2	CAM-Y
3	CAM-Y
4	IRIS

P703	OQCW204TAZZ
20	HD
19	VD
18	ND
17	SC-BLK
16	SY-BLK
15	ND
14	S-B
13	S-G
12	S-R
11	ND
10	ENCPI
9	S-RAM +5V
8	ND
7	SIP ME
6	MC
5	SIP INV
4	SIP ON/OFF
3	SIP B
2	SIP G
1	SIP R

Values in ( ) are for the playback mode